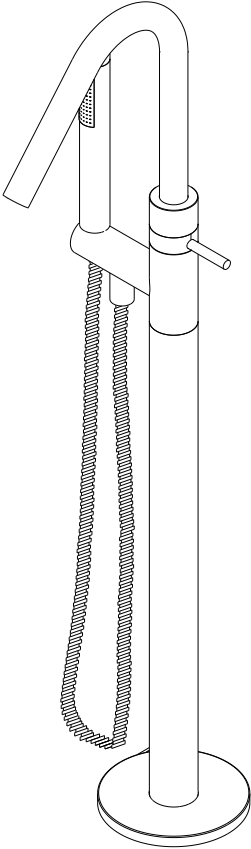


# Installation Instructions

---

Badeloft  
AT-03



## **Notice:**

1. only use soft fabric to clean the taps, no acid and alkalescent material for cleaning.
2. cartridge and diverter are tested in the factory, no self assembly and disassembly.
3. underground components should pass a 30 min. water test under 0.8Mpa before close the tiles, to be sure no water leak.
4. underground pipes should be installed strictly according to the manual, exchange of cold water pipe and hot water pipe is not allowed.
5. when inside temperature under 0°C, please do close the water angel valve, open the tap and let the water flow out completely, to avoid tap break during freezing period, and water leak when temperature goes up.
6. water inlet pipes must be cleaned before tap installation, impurities could destroy the cartridge, diverter and aerator.
7. CAUTION: when turn on the tap, please turn to cold first, then adjust to suitable temperature, to avoid scald.
8. gloves are needed during installing the tap.

## **Problems and Solutions:**

1. if water flow is not enough, please be sure the angel valve are opened.
2. if water column is not in regular shape. please be sure the aerator is cleaned.
3. if temperature not adjustable, please be sure the angel valve and connection pipe is correctly installed.

## **Quality Guarantee:**

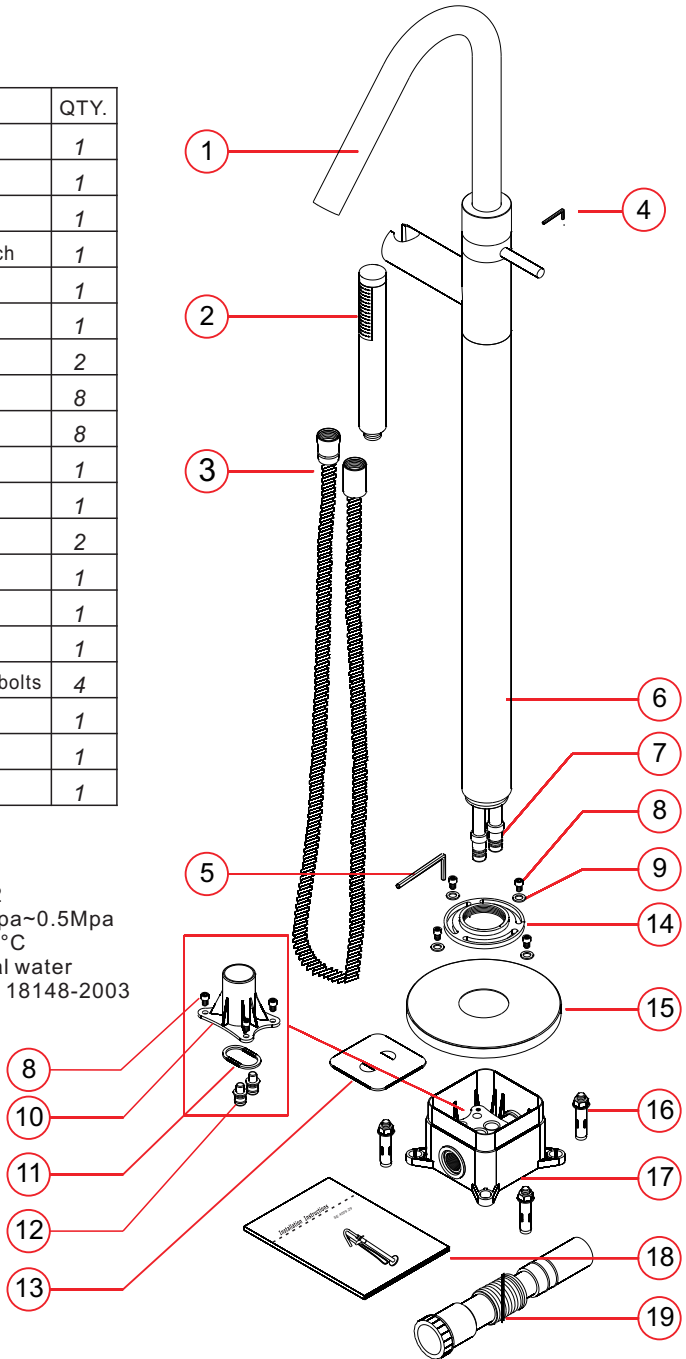
Thank you very much for choosing our products, we will offer full after-sales services. We offer for 2 years limited quality guarantee and whole product-life repair in terms of:

1. product damage caused by material, manufacture and functional components (not including surface) within 2 years after sales, we offer repair or same model replacement for free. Customer can return the product only after received our written permission. We will deliver the repaired or replace new product to customer after received the old one. Repair or replacement depends on the product condition.
2. For those products over 2 years after sales, we offer repair based on cost charge.
3. This limited quality guarantee only valid for house and non-commercial usage products.
4. This limited quality guarantee does not valid for below terms:
  - use components from outside the factory.
  - wrong installation, usage or maintenance (no matter distributor, plumber or final user).

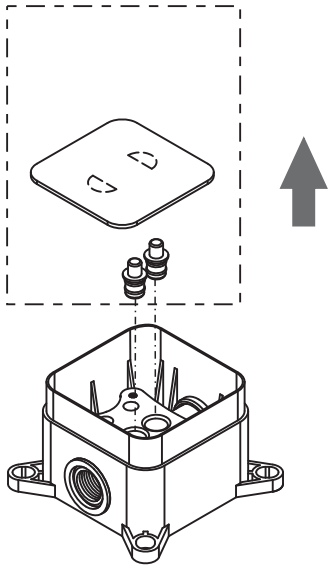
# Checking List

	Name	QTY.
1	spout	1
2	hand shower	1
3	hose	1
4	S2.5mm hex wrench	1
5	S4mm hex wrench	1
6	connecting pipe	1
7	water inlet pipe	2
8	M5x15 hex. bolt	8
9	M5 washer	8
10	water test base	1
11	rubber ring	1
12	rubber water stop	2
13	dustproof cover	1
14	fixing nut	1
15	rosette	1
16	expansion anchor bolts	4
17	plastic box	1
18	manual	1
19	water pipe	1

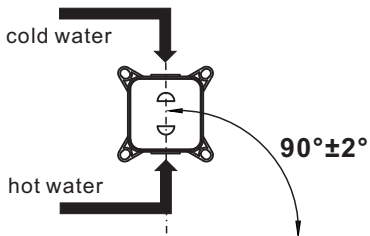
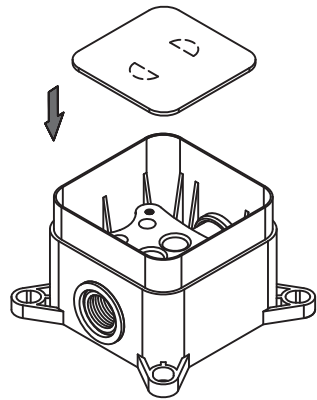
specifications:  
 water pipe thread: G1/2  
 working pressure: 0.1Mpa~0.5Mpa  
 working temp.: 3°C ~ 85°C  
 working material: normal water  
 producing standard: GB 18148-2003



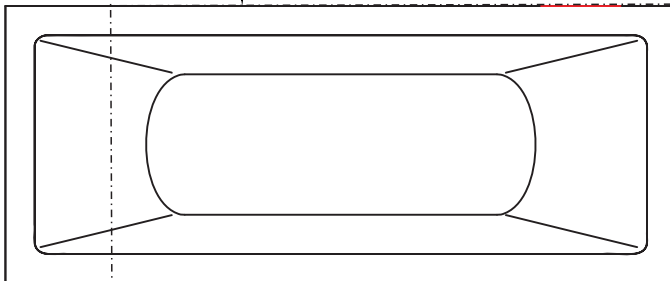
disassemble and take out

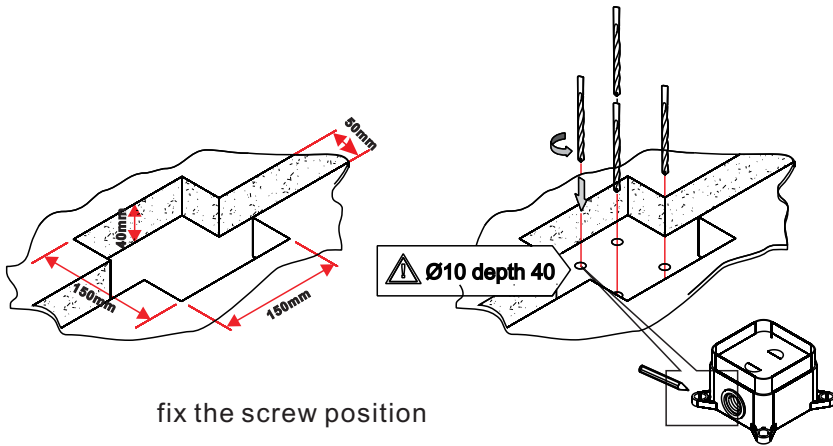


put the dustproof cover on

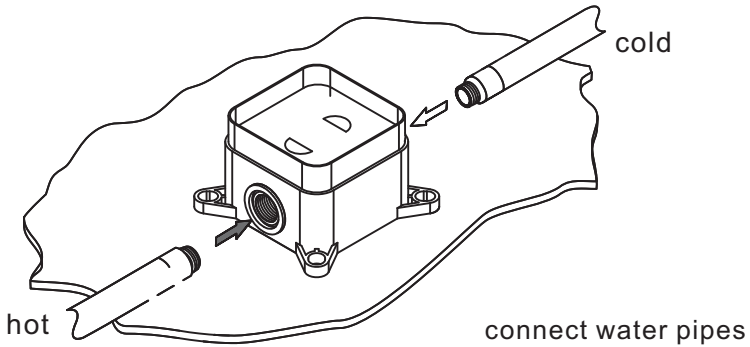


fix the position of the tap





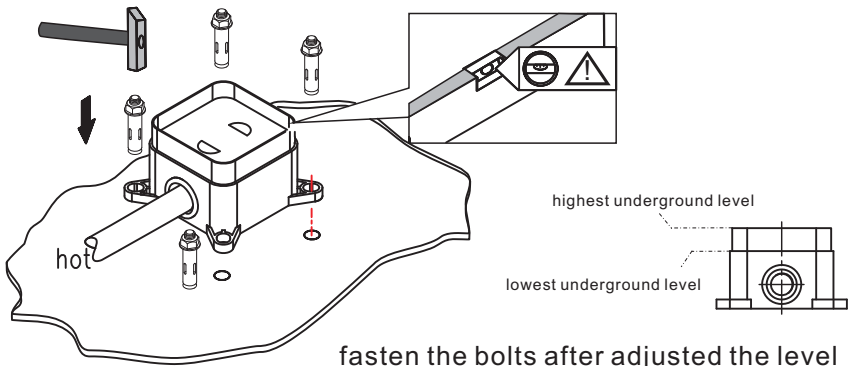
fix the screw position



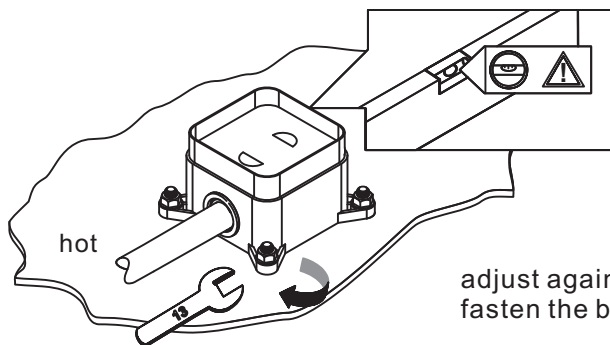
hot

cold

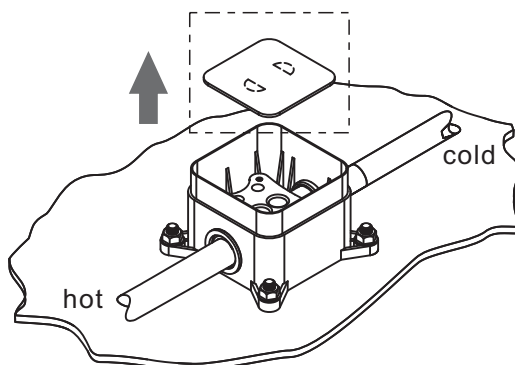
connect water pipes



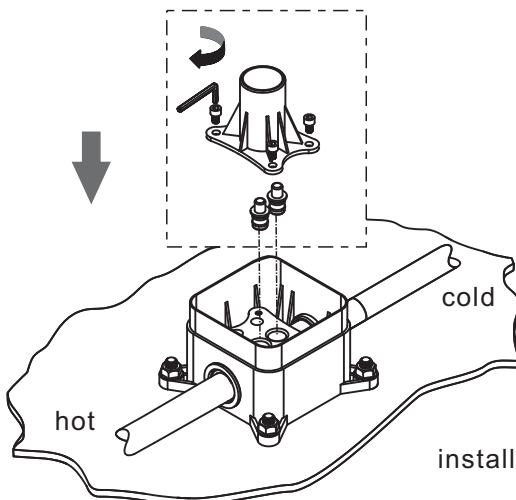
fasten the bolts after adjusted the level



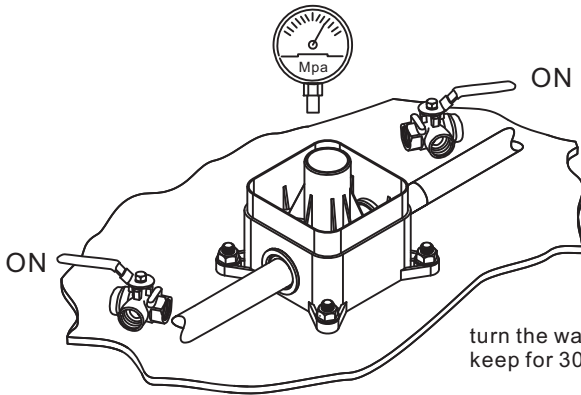
adjust again the level after fasten the bolts.



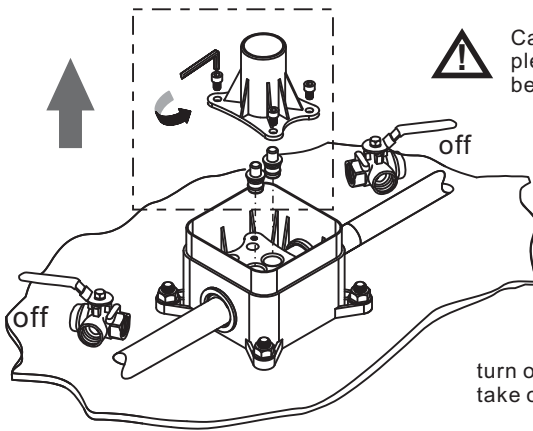
take off the cover



install water test spareparts

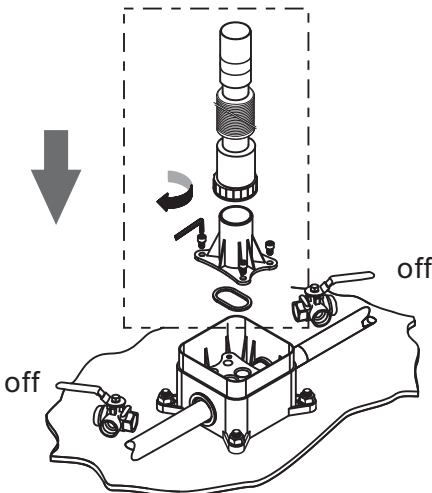


turn the water on under pressure 0.8Mpa,  
keep for 30min to be sure no water leak.



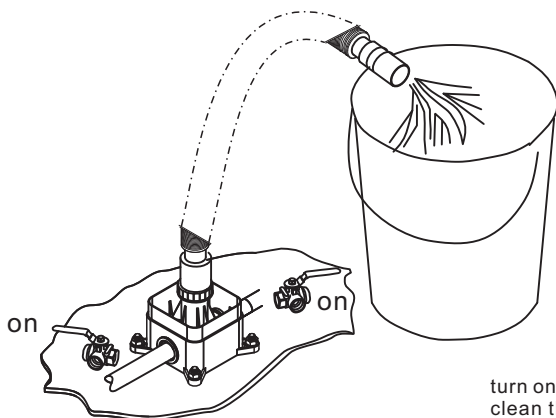
Caution:  
please decompress the water  
before unfasten the screw.

turn off the water,  
take off the testing spare parts.



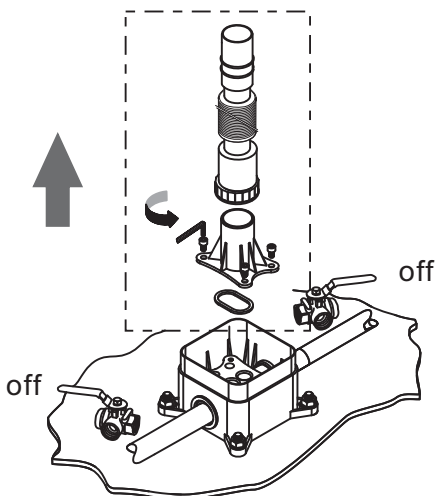
install pipe cleaning spare parts.





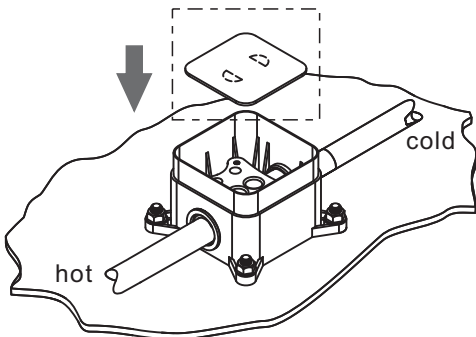
turn on the valve to let water flush to clean the water pipes

---



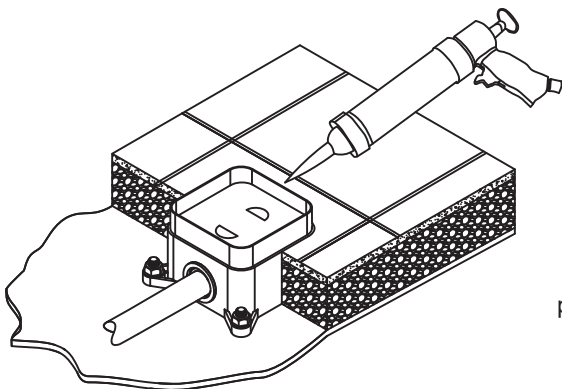
turn off the valve, take out the pipe cleaning spare parts.

---

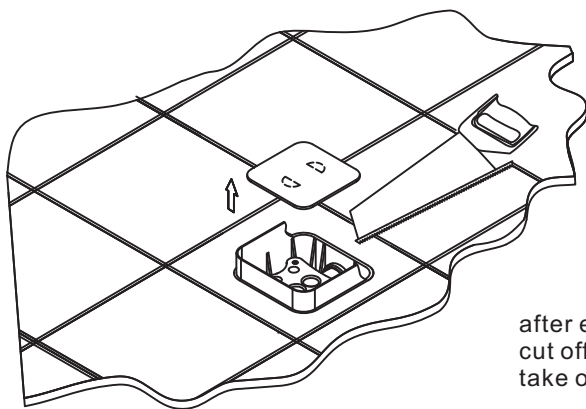


put on the cover

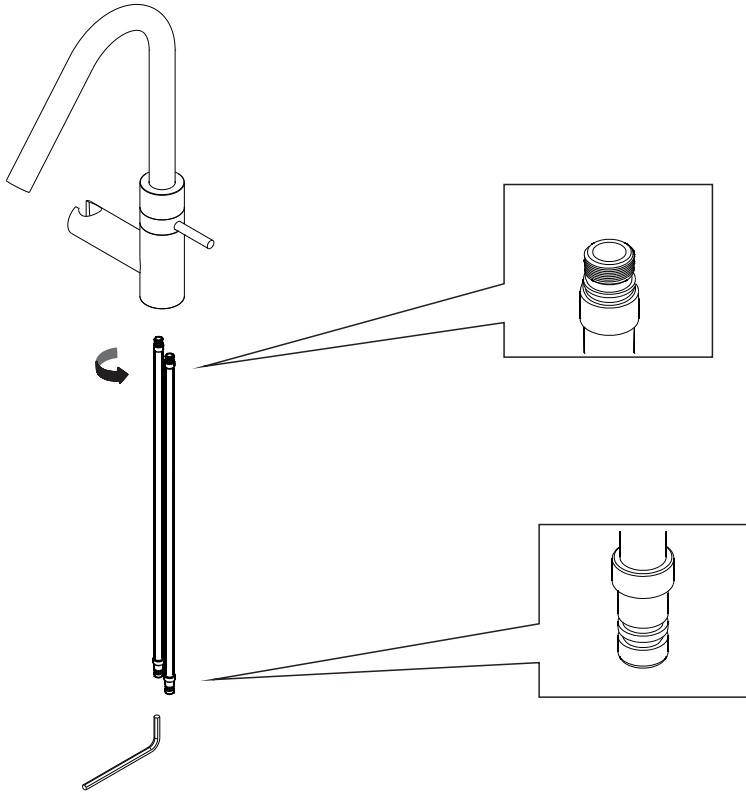
---



paving tiles, use silicon  
to close the gaps.

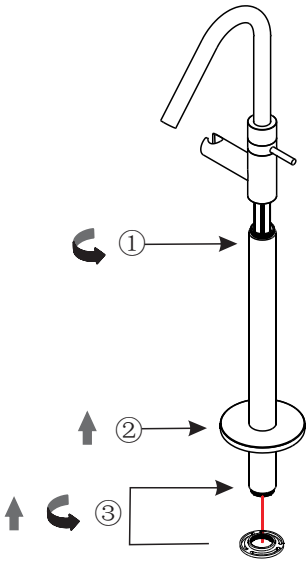


after everything dried,  
cut off the upper ground parts.  
take off the cover



take out the 2 water inlet pipes from the packing box, fasten them onto the spout.

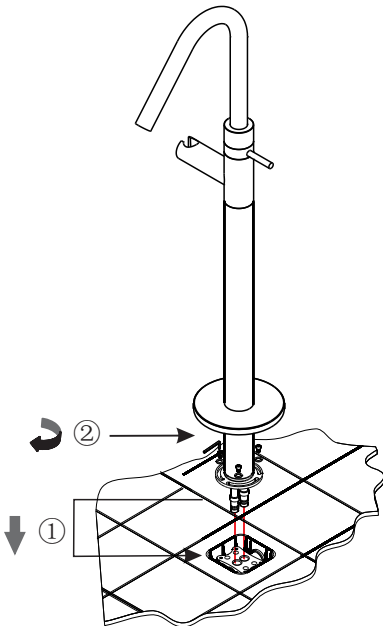
CAUTION: One end with thread should be upward, another end with 2 rubber rings is downward.



① fasten the spout onto the connection pipe.

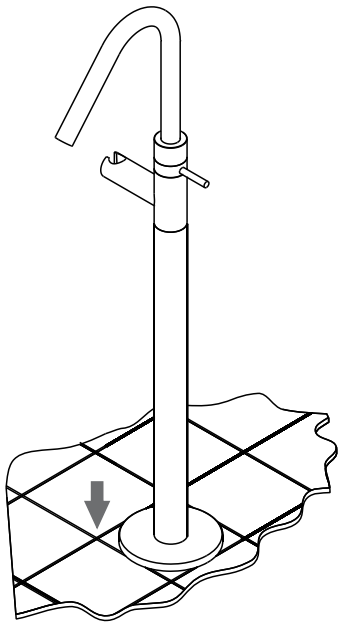
② put on the rosette, be careful to avoid scratches.

③ Fasten the brass nut onto the body, use thread glue if necessary.

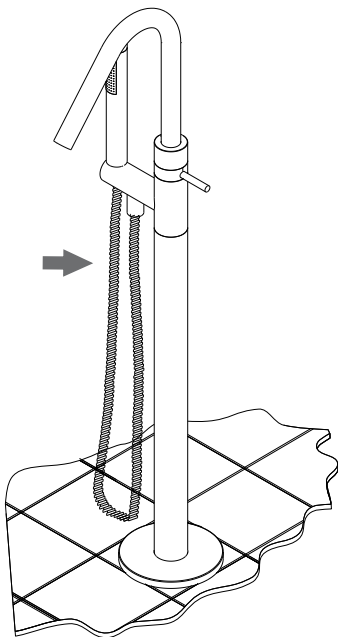


① insert the 2 water pipes in the tap into the holes in the plastic box underground.

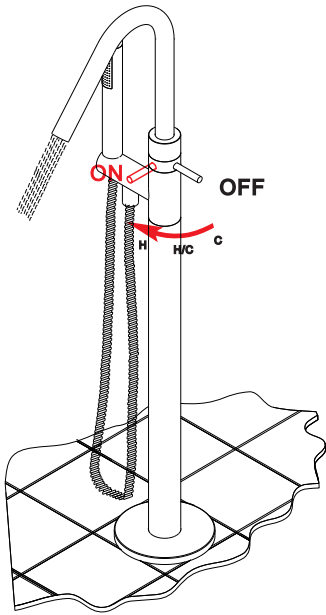
② fasten the brass nut by 4 screws.



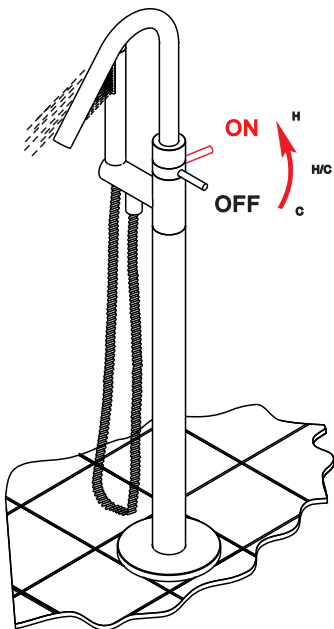
push the rosette smoothly  
down to the ground



install the hand shower sets



Turn the handle according to arrow showed direction, water comes out from spot. Temperature from cold to hot by turning.



Turn the handle according to arrow showed direction, water comes out from hand shower. Temperature from cold to hot by turning.