

Freestanding Faucet
Installation Guide AT-06



Notice:

1. Only use soft a fabric cloth to clean the faucet. No acid or alkaline cleaning solutions should be used because it can damage the finish.
2. The cartridge and diverter are tested in the factory, please don't try to disassemble, as these are not user serviceable parts.
3. The plumbing under the surface should be tested for at least 30 min. under a 0.8 Mpa pressure before installing the tile to check for leaks.
4. The pipes under the surface should be installed as directed in the installation guide. Please do not exchange the hot and cold water as this could cause damage to the faucet.
5. The pipes must be flushed to clean out debris before the installation of the tap. If this step is ommited the impurities could destroy the cartridge, diverter, and aerator and render the faucet defective.
7. Use CAUTION when open turning on the tap. Turn on the cold first then add the hot to create a suitable tempeture.
8. Gloves are recommended for the installation, as some of the part could be sharp.

Troubleshooting:

1. If the water flow is too low make sure the main supply valves are opened up all the way.
2. If the water coming out of the tap is irregular please check the aerator and clean it for debris.

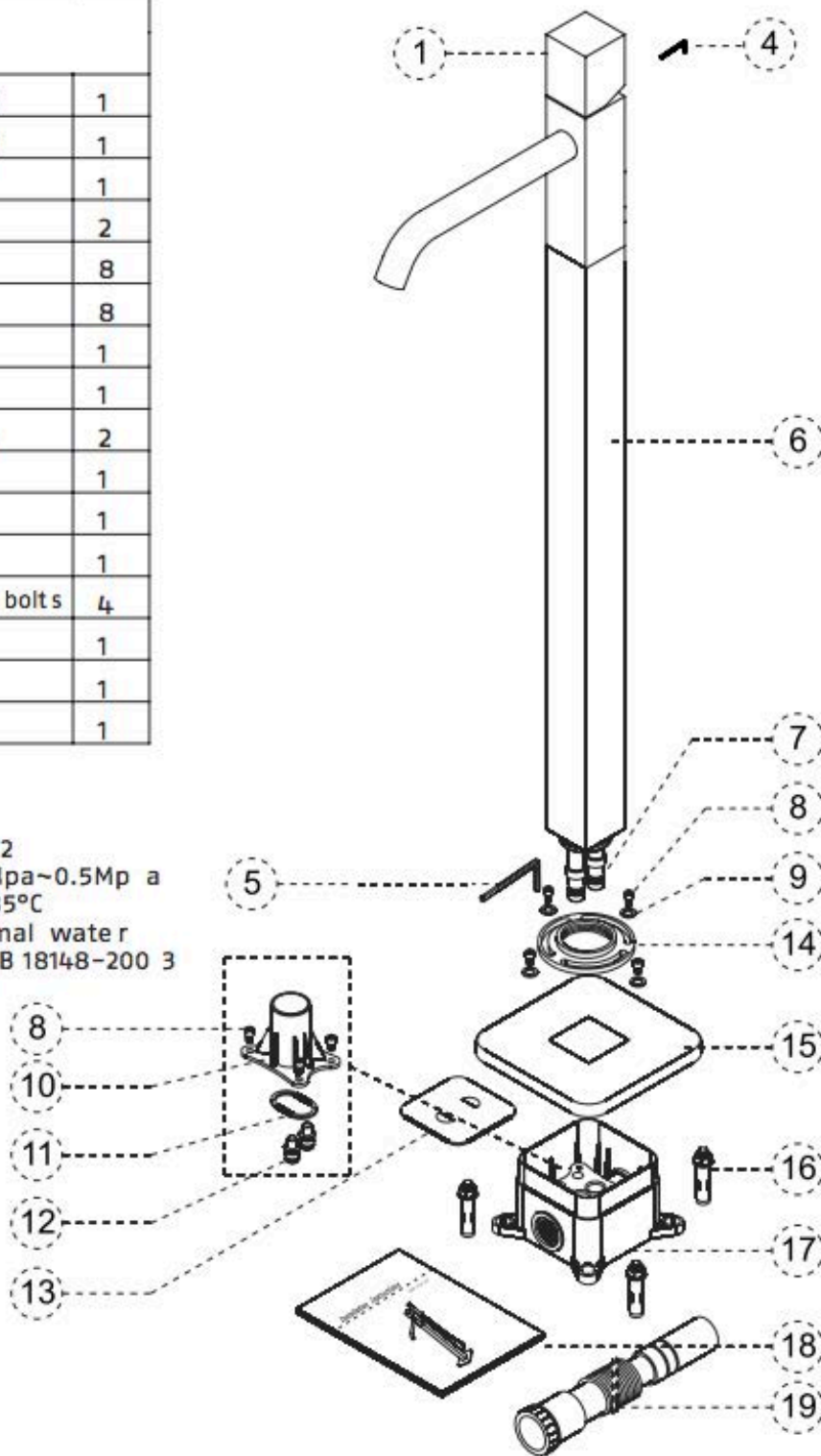
Freestanding Faucet Installation Guide AT-06



Check List

	Name	QTY.
1	spout body	1
4	S2m m hex wrench	1
5	S4m m hex wrench	1
6	connectin g pipe	1
7	wate r inlet pipe	2
8	M5x15 hex. bolt	8
9	M5 washe r	8
10	wate r test bas e	1
11	rubbe r ring	1
12	rubbe r wate r stop	2
13	dustproo f cove r	1
14	fixin g nut	1
15	rosett e	1
16	expansio n ancho r bolts	4
17	plasti c box	1
18	manua l	1
19	wate r pipe	1

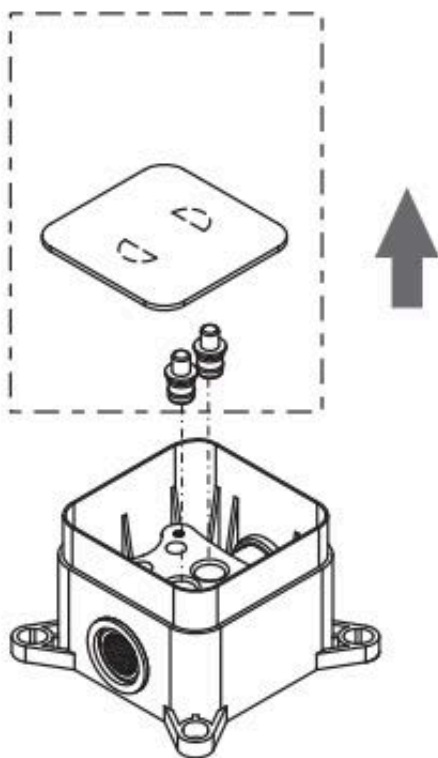
specifications :
 wate r pipe thread : G1/2
 workin g pressure : 0.1Mpa~0.5Mp a
 workin g temp.: 3°C ~ 85°C
 workin g material: normal wate r
 producin g standard : GB 18148-200 3



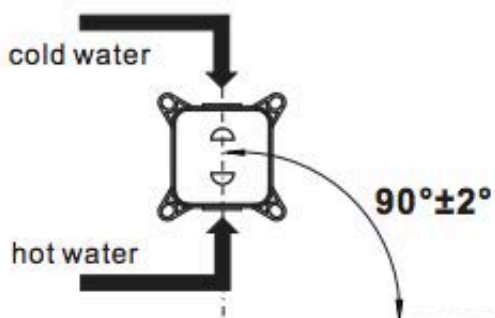
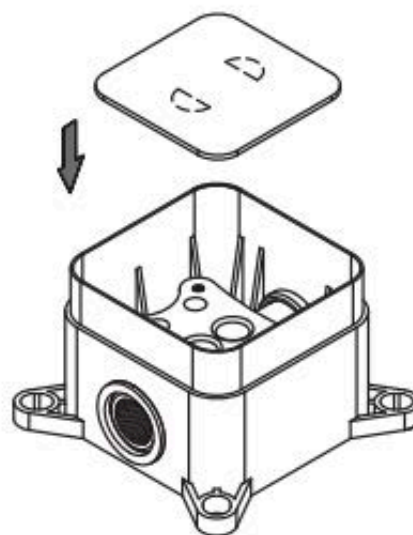
Freestanding Faucet Installation Guide AT-06



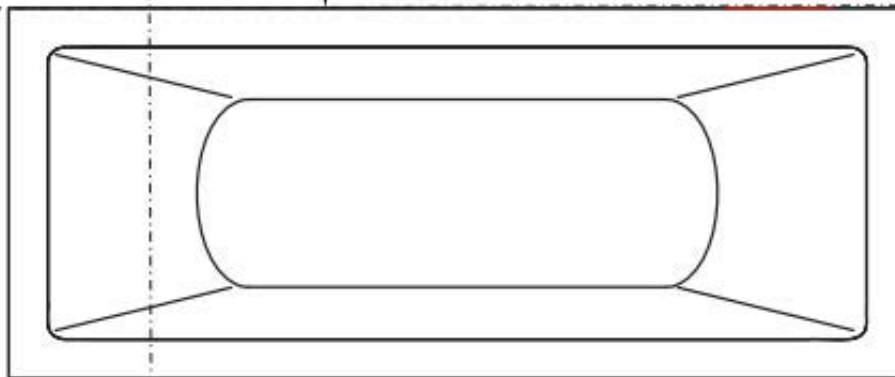
disassemble and take out



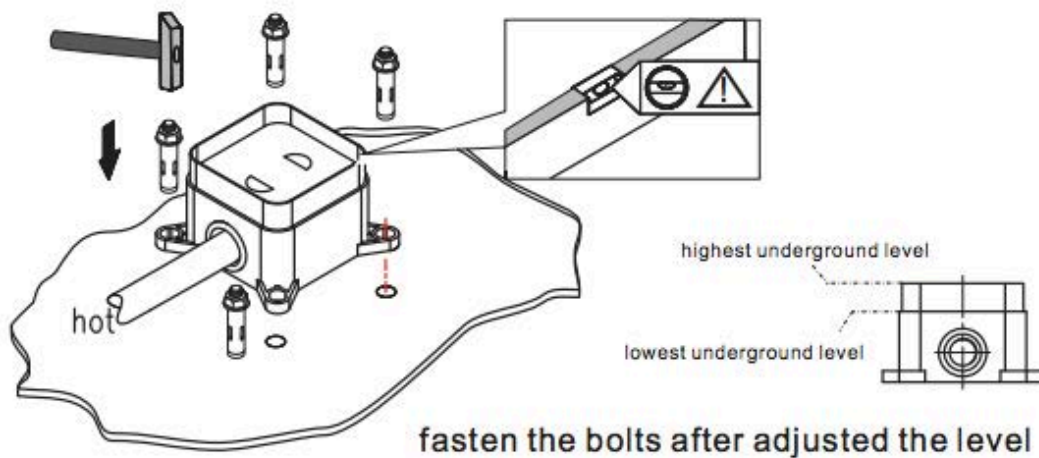
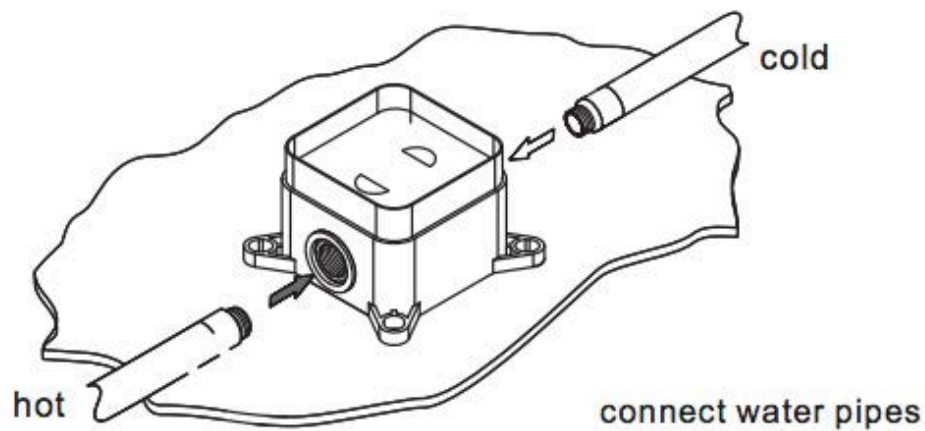
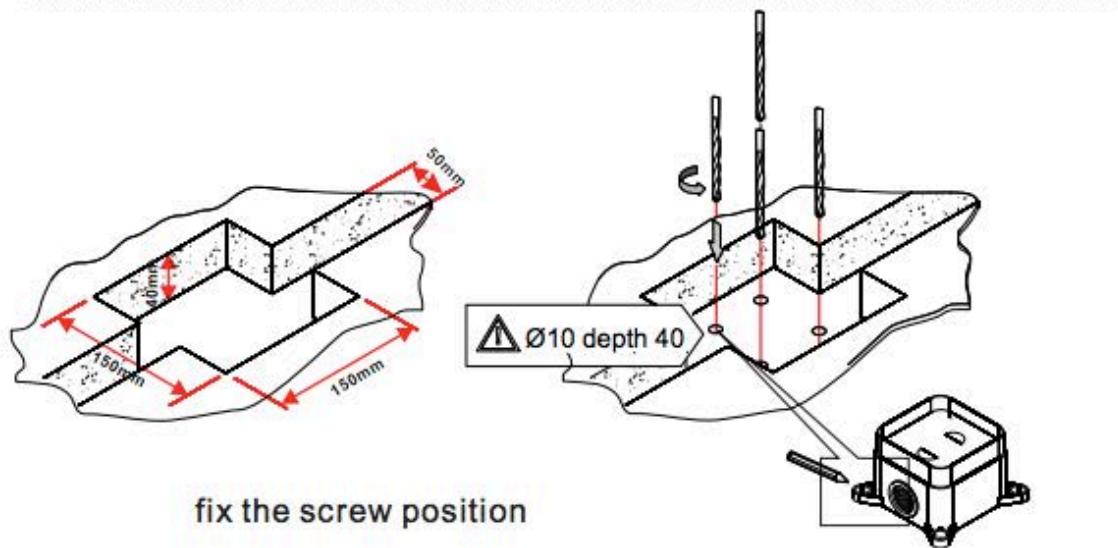
put the dustproof cover on



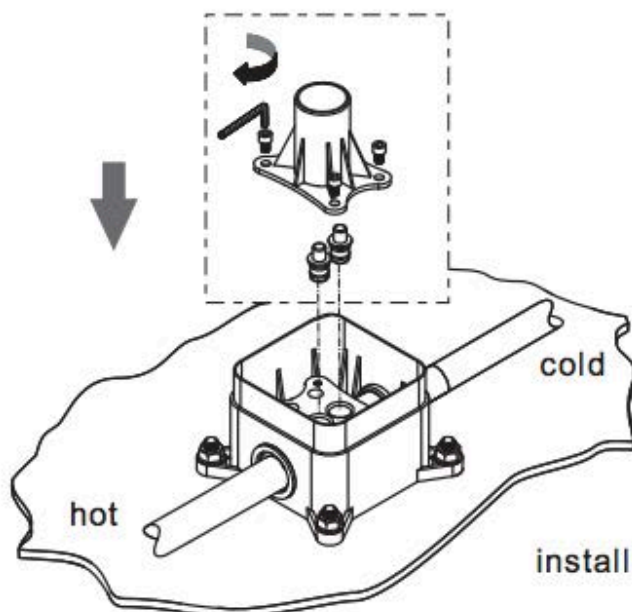
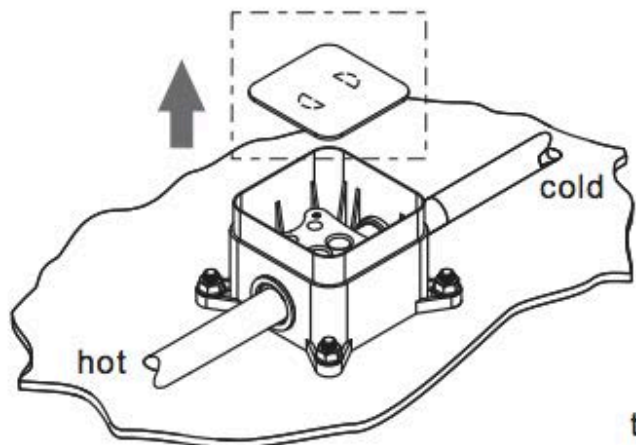
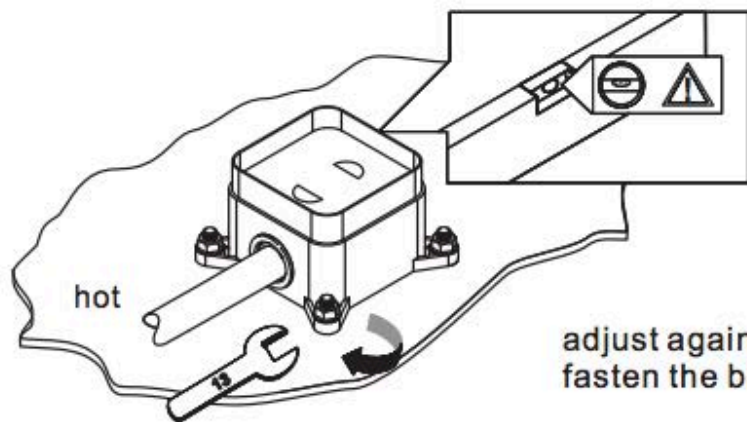
fix the position of the tap



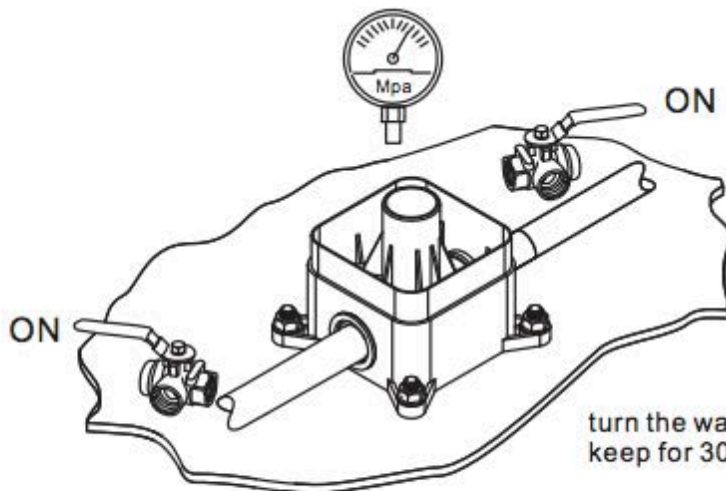
Freestanding Faucet Installation Guide AT-06



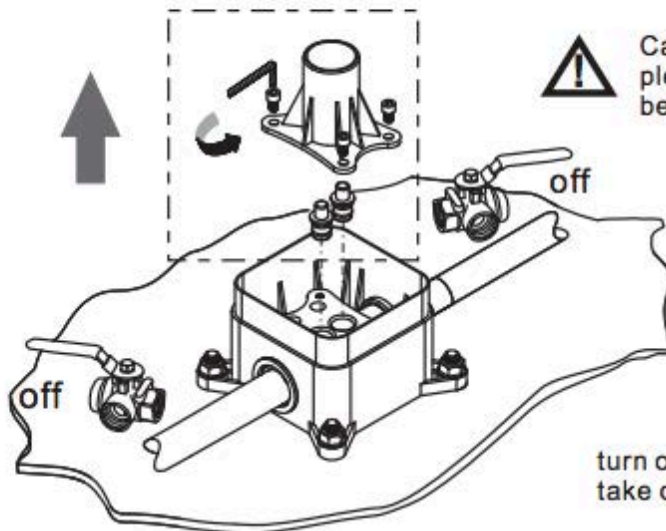
Freestanding Faucet Installation Guide AT-06



Freestanding Faucet Installation Guide AT-06

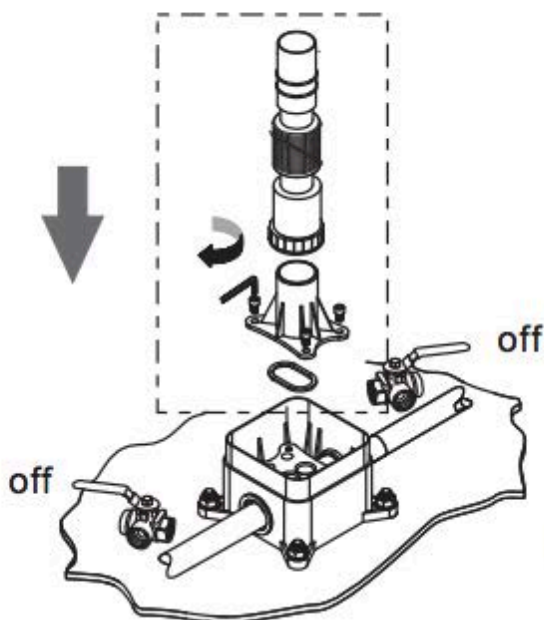


turn the water on under pressure 0.8Mpa,
keep for 30min to be sure no water leak.



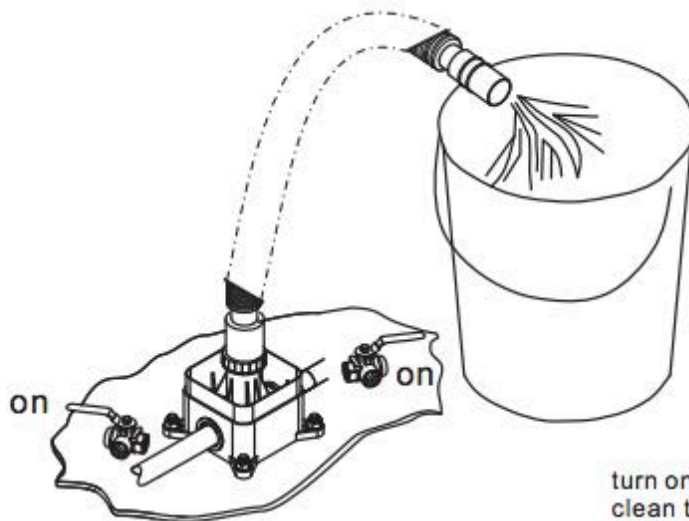
Caution:
please decompress the water
before unfasten the screw.

turn off the water,
take off the testing spare parts.

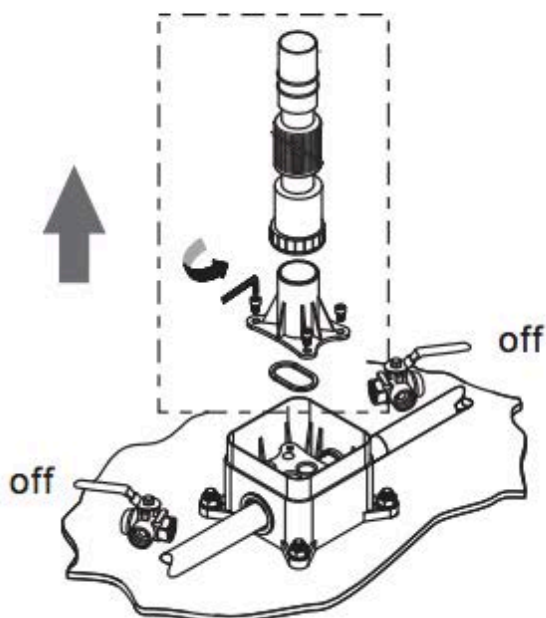


install pipe cleaning spare parts.

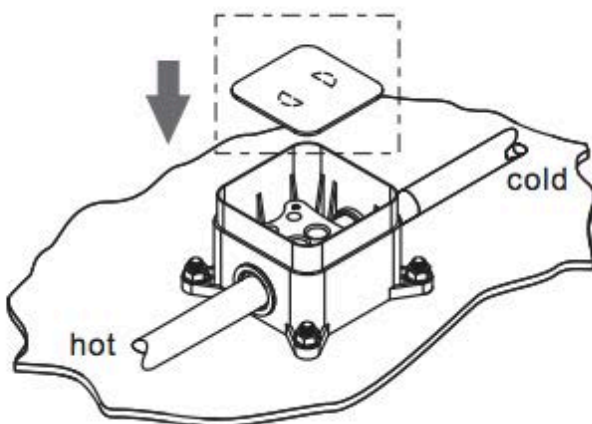
Freestanding Faucet Installation Guide AT-06



turn on the valve to let water flush to clean the water pipes

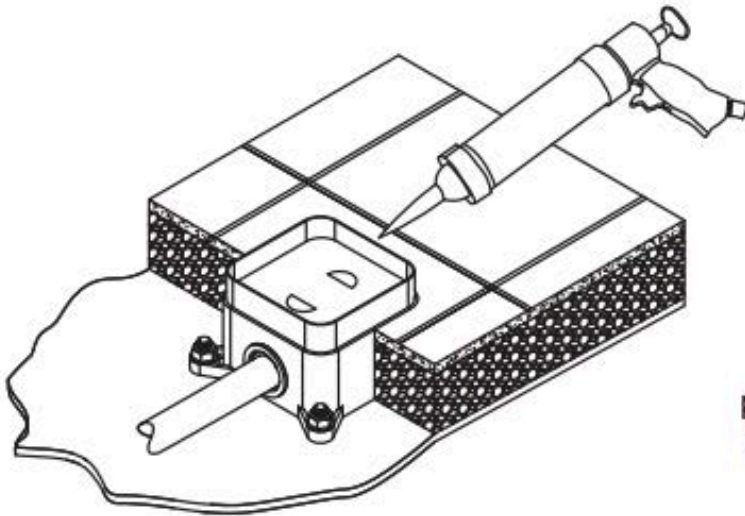


turn off the valve, take out the pipe cleaning spare parts.

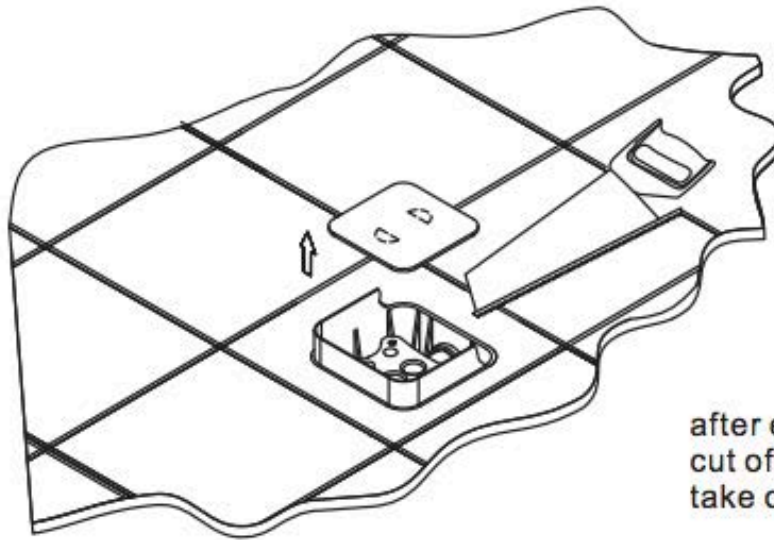


put on the cover

Freestanding Faucet Installation Guide AT-06



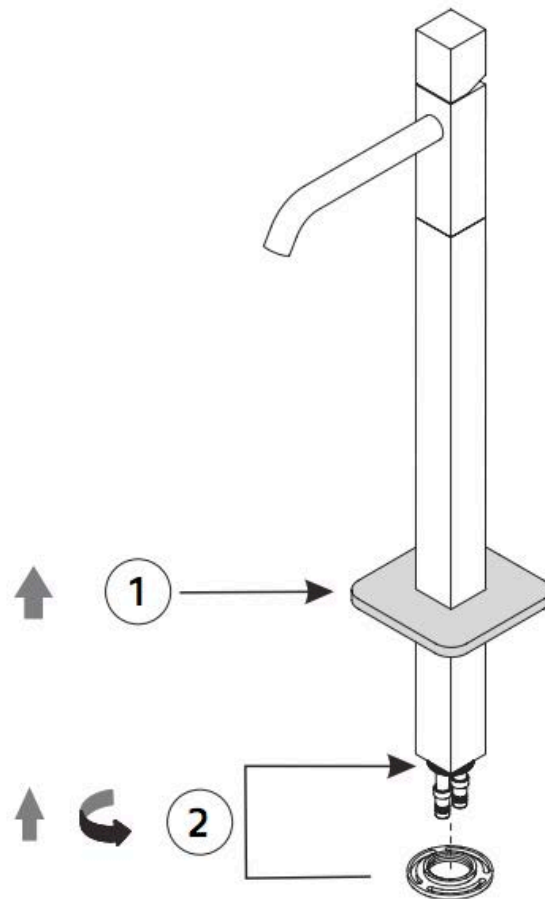
paving tiles, use silicon
to close the gaps.



after everything dried,
cut off the upper ground parts.
take off the cover

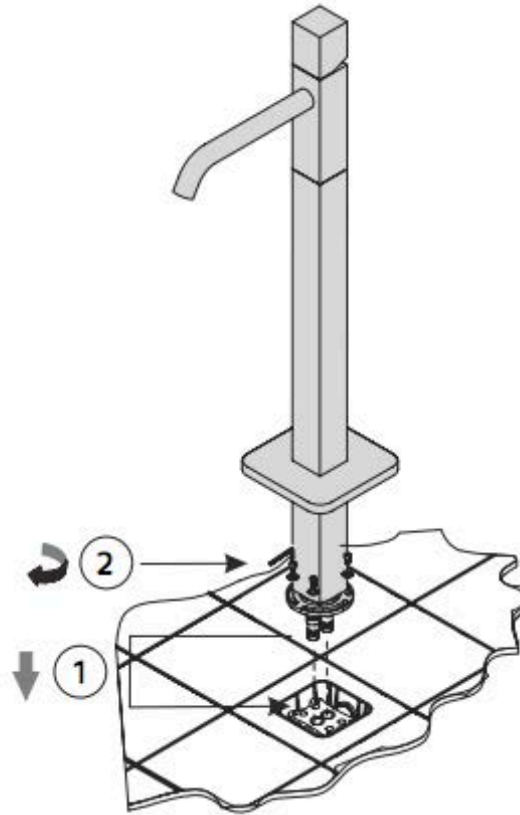
Freestanding Faucet Installation Guide AT-06

Put the rosette on the tap (1),
avoid making scratches. Fasten
the mounting rosette to the tap
(2).

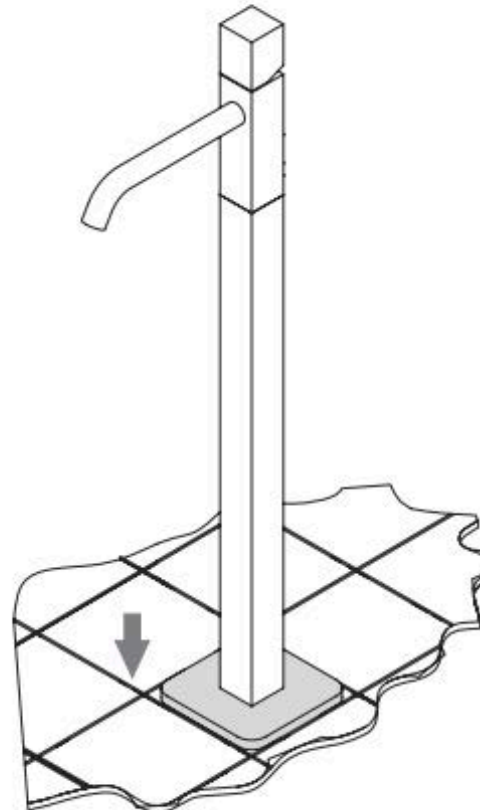


Freestanding Faucet Installation Guide AT-06

Insert the water pipes of the tap in the holes of the mounting box (1). Install the mounting rosette on the mounting box (2).



Carefully slide the rosette to the ground.



Limited Warranty



Badeloft USA, LLC ("Badeloft") products are warranted against defects in material and workmanship (the "Badeloft Warranty"), subject to the limitations set forth below.

Residential Applications (5-Year Residential Warranty):

All Badeloft stone resin bathtubs, sinks and Parts purchased for residential use only are warranted hereunder for five (5) years from the date of original purchase, subject to the limitations set forth below. As used herein, "Parts" means all mechanical working parts of drains and freestanding faucets and/or fillers (including, without limitation, ceramic disc cartridges for both side valves and pressure balance, thermo cartridges, stops and diverters).



Commercial and/or Industrial Applications (2-Year Commercial Warranty):

All Badeloft stone resin bathtubs and sinks purchased for commercial and/or industrial use (whether in whole or in part) are warranted hereunder for two (2) years from the date of original purchase. For the avoidance of doubt, the Badeloft Warranty does not apply to Badeloft Parts purchased for commercial and/or industrial use (whether in whole or in part).

Limitations of the Badeloft Warranty:

Regardless of intended and/or actual use, the Badeloft Warranty is limited to products purchased directly from Badeloft in the United States. The Badeloft Warranty is further strictly limited to the original purchaser of the product and is not transferable. The original sales receipt must be provided to Badeloft in order to exercise the Badeloft Warranty. Additionally, the Badeloft Warranty does not cover the following:

- (a) Loss and/or damage resulting in whole or part from installation error, product abuse, misuse, neglect, improper maintenance, abrasives, corrosion and/or accidents, whether or not caused or performed by a professional;
- (b) Any and all Badeloft products that are subjected to any type of harsh abrasives (including, without limitation, detergents and/or window cleaners);
- (c) Loss and/or damage due to normal wear and tear;
- (d) Loss and/or damage caused by hard water, calcareous deposits and/or sediments; and/or
- (e) Loss and/or damage sustained in a natural calamity (including, without limitation, fire, earthquake, flood, thunder or electrical storm).

Limitation of Liability:

Badeloft is not responsible for any labor, shipping charges, and/or damages whatsoever, incurred (whether in whole or in part) on account of installation, removal, re-installation, repair and/or replacement of any Badeloft product, as well as any incidental or consequential damages, expenses, losses (whether direct or indirect), arising from any cause whatsoever. Furthermore, Badeloft's liability for any loss of and/or damage to the applicable Badeloft product is limited to the replacement value thereof.

Other Provisions: