

Sink Faucet
Installation Guide WAT-01-L



WRAS



AB1953

Sink Faucet Installation Guide WAT-01-L



Installation:

1. Screw the supply lines into the faucet.

2. Thread the rods into the main faucet body.

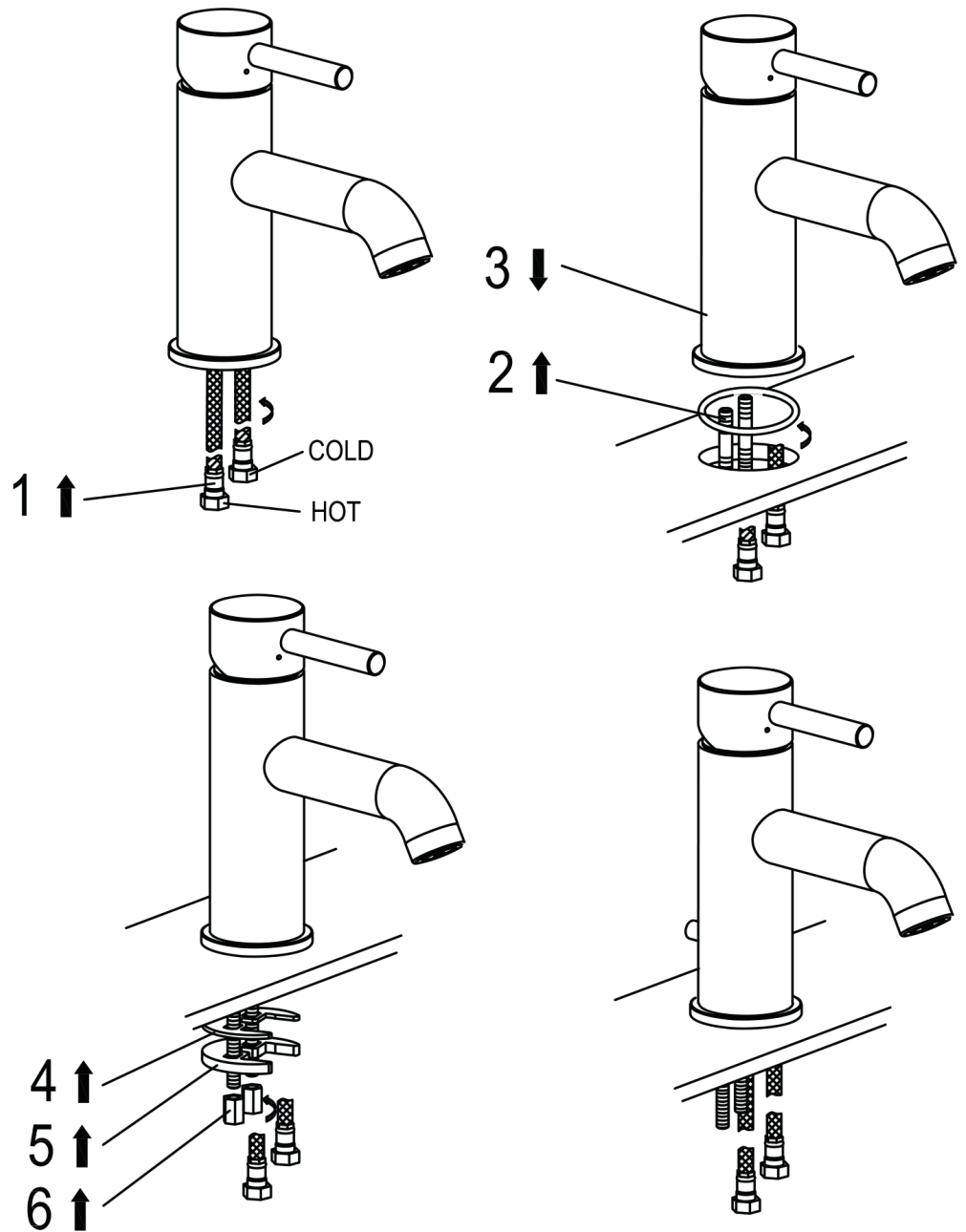
3. Put supply lines through the sink hole and line up the rubber gasket.

4. Position bottom gasket.

5. Slide bottom washer through the rods.

6. Screw nuts onto the rods using the supplied tool.

7. Connect the supply lines to the water main.



Badeloft USA, LLC (“Badeloft”) products are warranted against defects in material and workmanship (the “Badeloft Warranty”), subject to the limitations set forth below.

Residential Applications (5-Year Residential Warranty):

All Badeloft stone resin bathtubs, sinks and Parts purchased for residential use only are warranted hereunder for five (5) years from the date of original purchase, subject to the limitations set forth below. As used herein, “Parts” means all mechanical working parts of drains and freestanding faucets and/or fillers (including, without limitation, ceramic disc cartridges for both side valves and pressure balance, thermo cartridges, stops and diverters).



Commercial and/or Industrial Applications (2-Year Commercial Warranty):

All Badeloft stone resin bathtubs and sinks purchased for commercial and/or industrial use (whether in whole or in part) are warranted hereunder for two (2) years from the date of original purchase. For the avoidance of doubt, the Badeloft Warranty does not apply to Badeloft Parts purchased for commercial and/or industrial use (whether in whole or in part).

Limitations of the Badeloft Warranty:

Regardless of intended and/or actual use, the Badeloft Warranty is limited to products purchased directly from Badeloft in the United States. The Badeloft Warranty is further strictly limited to the original purchaser of the product and is not transferable. The original sales receipt must be provided to Badeloft in order to exercise the Badeloft Warranty. Additionally, the Badeloft Warranty does not cover the following:

- (a) Loss and/or damage resulting in whole or part from installation error, product abuse, misuse, neglect, improper maintenance, abrasives, corrosion and/or accidents, whether or not caused or performed by a professional;
- (b) Any and all Badeloft products that are subjected to any type of harsh abrasives (including, without limitation, detergents and/or window cleaners);
- (c) Loss and/or damage due to normal wear and tear;
- (d) Loss and/or damage caused by hard water, calcareous deposits and/or sediments; and/or
- (e) Loss and/or damage sustained in a natural calamity (including, without limitation, fire, earthquake, flood, thunder or electrical storm).

Limitation of Liability:

Badeloft is not responsible for any labor, shipping charges, and/or damages whatsoever, incurred (whether in whole or in part) on account of installation, removal, re-installation, repair and/or replacement of any Badeloft product, as well as any incidental or consequential damages, expenses, losses (whether direct or indirect), arising from any cause whatsoever. Furthermore, Badeloft’s liability for any loss of and/or damage to the applicable Badeloft product is limited to the replacement value thereof.

Other Provisions:

To obtain Badeloft Warranty service, please contact Badeloft directly. Badeloft products that are deemed defective (which determination will be at the sole and absolute discretion of Badeloft) must be returned to the Badeloft warehouse for inspection prior to replacement.

Badeloft reserves the right to make Badeloft product specification changes without notice or obligation, and to change or discontinue certain models.